



Secondary clocks for outdoor use

PROFILINE

PROFILINE – a modular concept of a professional clock line in modern design round-shaped single- and double-sided, for dimensions 50, 60, 80 cm, with or without illumination.

The clock case itself is characterized by a highly finished, weatherproof design in aluminum section, build to high professional standards for easy commissioning and service.

The PROFILINE concept

Case types

Outdoor clocks, round, single- or double-sided, with or without illumination. IP 54 protected.

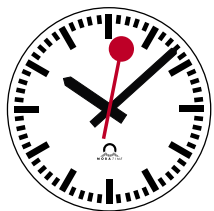
Mounting

Available as wall mounted type (E) (single sided), ceiling mounted (DA), wall bracket mounted (WA), lateral post mounted (SM) and central post mounted (ZM).

Material and colours

Weather-proof, high quality case of aluminum section, clear anodized finish or powder coated in RAL colour (option). Flat mineral cover glass.

Ball-throw protected version (BW) available (option).



Type 300



Type 315

For all diameters, two different dial types are available.

Clock dial and hands

White acrylic dial with black printing, available with line marks (type 300) or with Arabic numerals (type 315).

Black hour and minute hands, red second hand.

Clock dimension

Nominal dial diameters 50, 60 or 80 cm.

Outdoor clocks PROFILINE

Example of ordering
PL.FWU.50.300.E

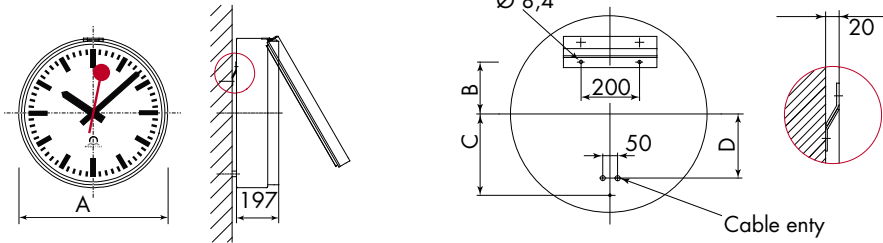
Order reference: **0** . **1** . **2** . **3** . **4** . **5**

Clock type		0
Outdoor clock PROFILINE, without illumination		PL
Outdoor clock PROFILINE, with illumination		PLB
Movement type		1
Minute pulse movement NU 90t , 24, 48 or 60 V ⁽¹⁾ switchable	hour / min.	A
Minute pulse movement NU 90t SYN , 24, 48 or 60 V ⁽¹⁾ switchable, with synchronous seconds 230 VAC / 50 Hz	hour / min. / sec.	F
Radio movement FU 192t with built-in DCF radio receiver unit for self-setting, independent operation. Lithium battery (LIT) not included. See movements series 192	hour / min.	FWU
Radio movement BU 190t 230 incl. external DCF 77 radio receiver unit DCF 450 for self-setting, independent operation. Supplied by 230 VAC / 50-60 Hz	hour / min.	SAA
Radio movement BU 190t S 230 incl. external DCF 77 radio receiver unit DCF 450 for self-setting, independent operation. Second hand continuous or soft step. Supplied by 230 VAC / 50-60 Hz	hour / min. / sec.	SFA
MOBALine-Movement MLU 190t for self-setting slave clocks. Controlled and supplied through MOBALine	hour / min.	SAM
MOBALine-Movement MLU 190t S 48 for self-setting slave clocks. Controlled and supplied through MOBALine. Second hand continuous or soft step	hour / min. / sec.	SFM
MOBALine-Movement MLU 190t S 230 for self-setting slave clocks. Controlled through MOBALine. Second hand continuous or soft step. Supplied by 230 VAC / 50-60 Hz	hour / min. / sec.	SFM 230
Timecode-Movement BU 190t 230 for self-setting slave clocks. Controlled by serial time telegram on RS 232 / RS 422. Supplied by 230 VAC / 50-60 Hz	hour / min.	SAS
Timecode-Movement BU 190t S 230 for self-setting slave clocks. Control by serial time telegram on RS 232 / RS 422. Second hand continuous or soft step. Supplied by 230 VAC / 50-60 Hz	hour / min. / sec.	SFS
Audio frequency-Movement TBU 190t 230 for self-setting slave clocks. Controlled by audio frequency time code (IRIG-B, AFNOR or DCF/FSK). Supplied by 230 VAC / 50-60 Hz	hour / min.	SAT
Audio frequency-Movement TBU 190t S 230 for self-setting slave clocks. Controlled by audio frequency time code (IRIG-B, AFNOR oder DCF/FSK). Second hand continuous or soft step. Supplied by 230 VAC / 50-60 Hz	hour / min. / sec.	SFT
Quartz movement QU 192t for independent operation. Lithium battery (LIT) not incl. See movements series 192	hour / min.	QU
GPS movement GU192t for self-setting independent operation. Controlled by GPS, incl. external miniature GPS antenna. Lithium battery (LIT) not included. See movements series 192	hour / min.	GU
Clock dimension		2
Outdoor clock, round, Ø 50 cm		50
Outdoor clock, round, Ø 60 cm		60
Outdoor clock, round, Ø 80 cm		80
Dial type		3
Dial with line marks, type 300		300
Dial with Arabic numerals, type 315		315
Mounting		4
Wall mounting	single-sided	E
Ceiling mounting	double-sided	DA
Wall bracket mounting	double-sided	WA
Lateral post mounting	double-sided	SM
Central post mounting (only Ø 50 and 60 cm)	double-sided	ZM
Option		5
Ball-throw protected		BW

⁽¹⁾ Please specify impulse voltage with order

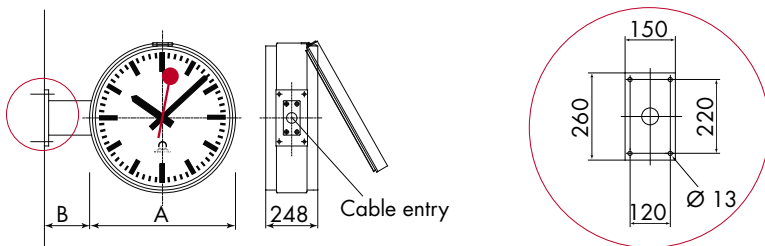
Mounting PROFILINE

Wall mounting (E), single-sided



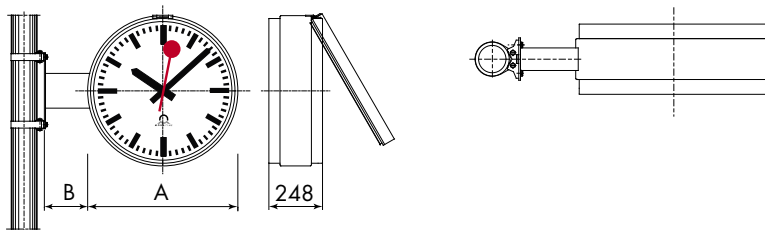
Ø cm	A mm	B mm	C mm	D mm	Weight ca kg
50	581	102	220	170	16
60	694	152	280	220	23
80	902	202	380	270	37

Wall bracket mounting (WA), double-sided



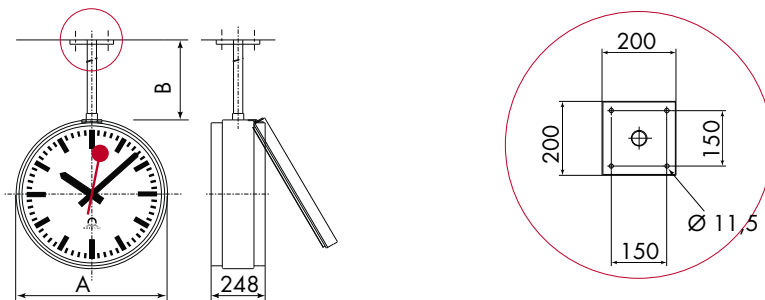
Ø cm	A mm	B mm	Weight ca kg
50	581	210	27
60	694	210	38
80	902	315	52

Lateral post mounting (SM), double-sided



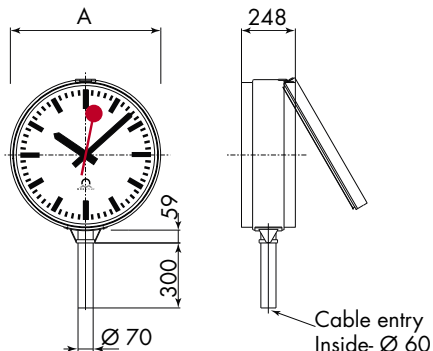
Ø cm	A mm	B mm	Weight ca kg
50	581	216	28
60	694	216	39

Ceiling mounting (DA), double-sided



Ø cm	A mm	B mm	Weight ca kg
50	581	500	27
60	694	600	38
80	902	800	63

Central post mounting (ZM), double-sided



Ø cm	A mm	Weight ca kg
50	581	28
60	694	39
80	902	64